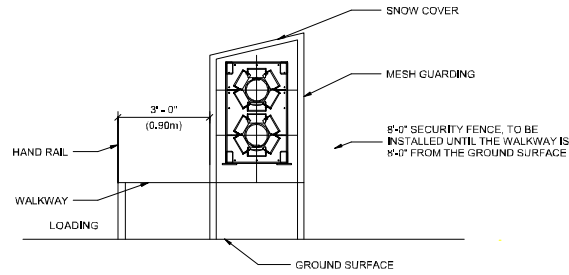


SECTION ON CONVEYOR-GROUND MODULE

SCALE: 1/2" = 1'-0"

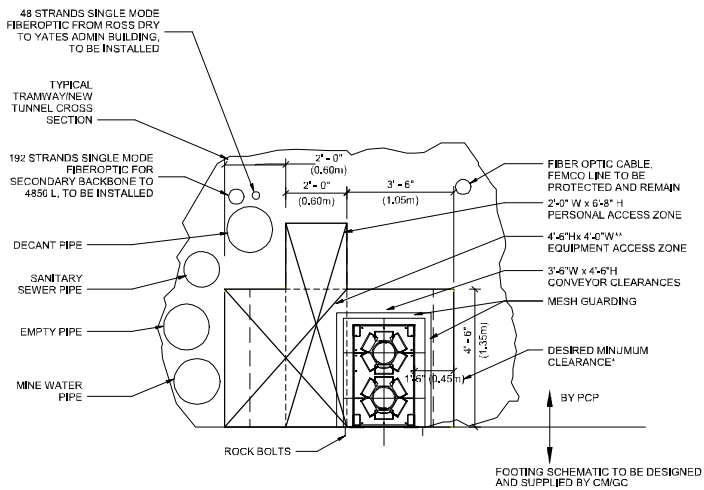
1



CONVEYOR-ELEVATED MODULE

SCALE: 1/2" = 1'-0"

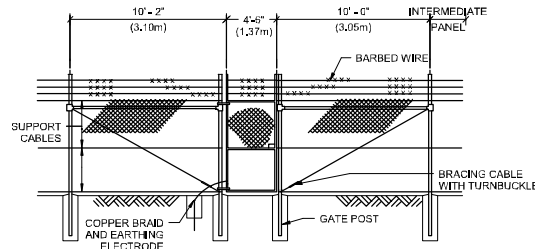
2



SECTION ON TRAMWAY CLEARANCE

SCALE: 1/2" = 1'-0"

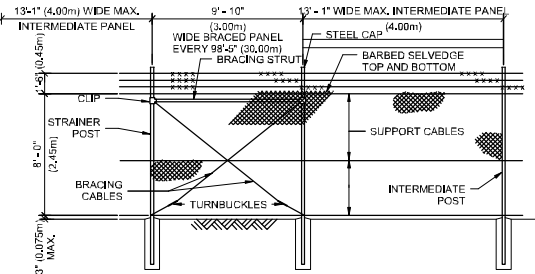
3



TYPICAL PEDESTRIAN GATE

SCALE: N.T.S.

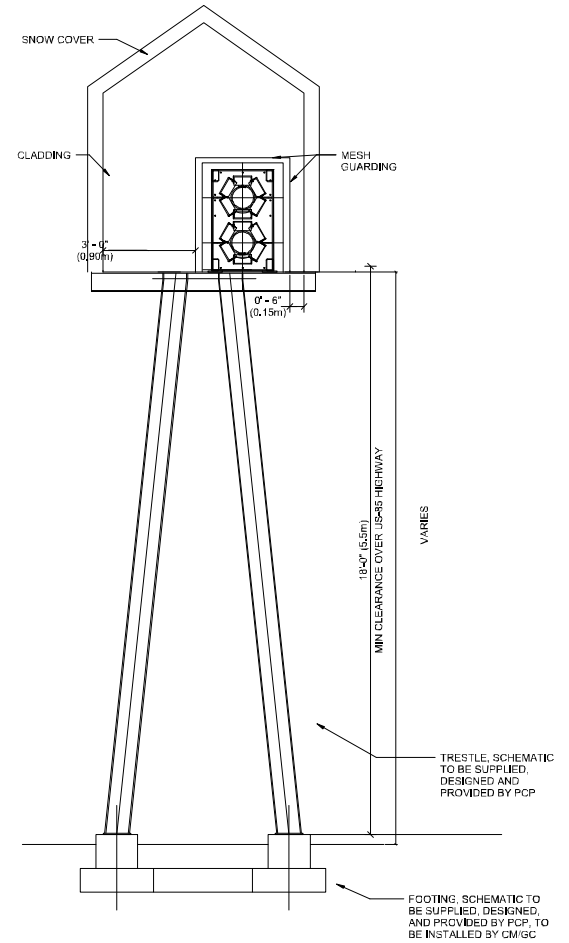
4



TYPICAL BRACED PANEL

SCALE: 1/2" = 1'-0"

5



TRESTLE SUPPORT ELEVATION

SCALE: 1/2" = 1'-0"

6

* ABSOLUTE MINIMUM CLEARANCE 0'-6" AT LOCATIONS WITH REDUCED WIDTH SHOWN ON DWGS PER-E-C-864 TO PER-E-C-965
 ** ABSOLUTE MINIMUM CLEARANCE 3'-3" AT LOCATIONS WITH REDUCED WIDTH SHOWN ON DWGS PER-E-C-864 TO PER-E-C-969